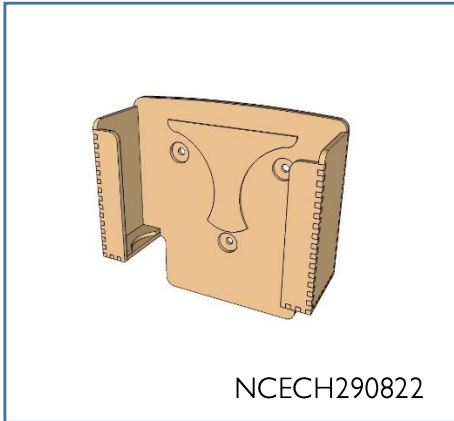


Design and production of fine quality laser cut models

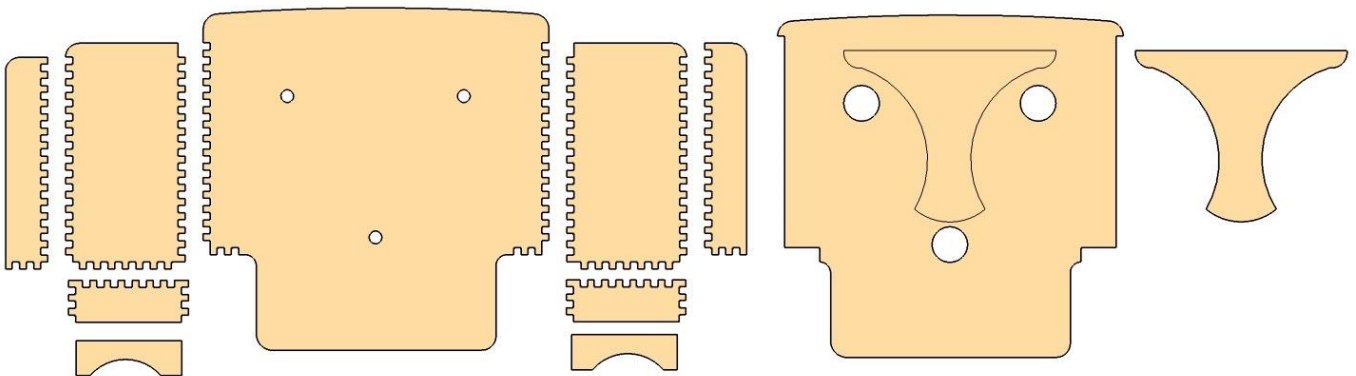


## NCE Cab Holder

[mk-models.co.uk](http://mk-models.co.uk)

### Instructions

Lay out the parts supplied to familiarise yourself with them.



To assemble this kit you will require a good quality PVA adhesive

